



AKU SHAPER

Customer:

Date: 2 juil. 2015

Length: 10' 1 1/8" (3077.1)

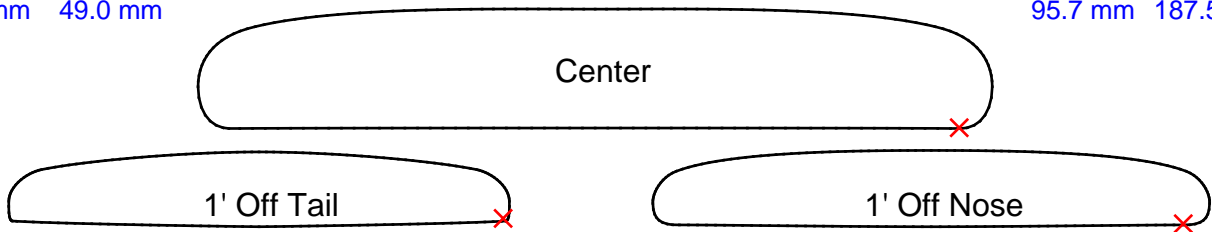
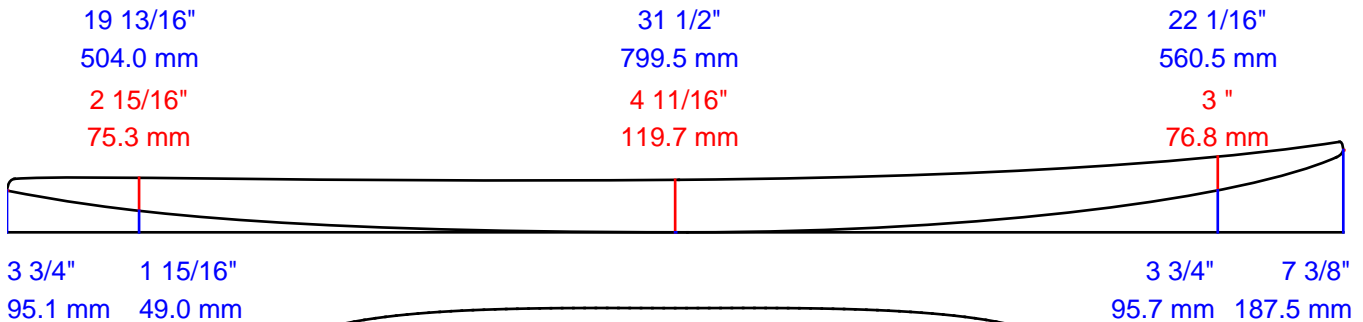
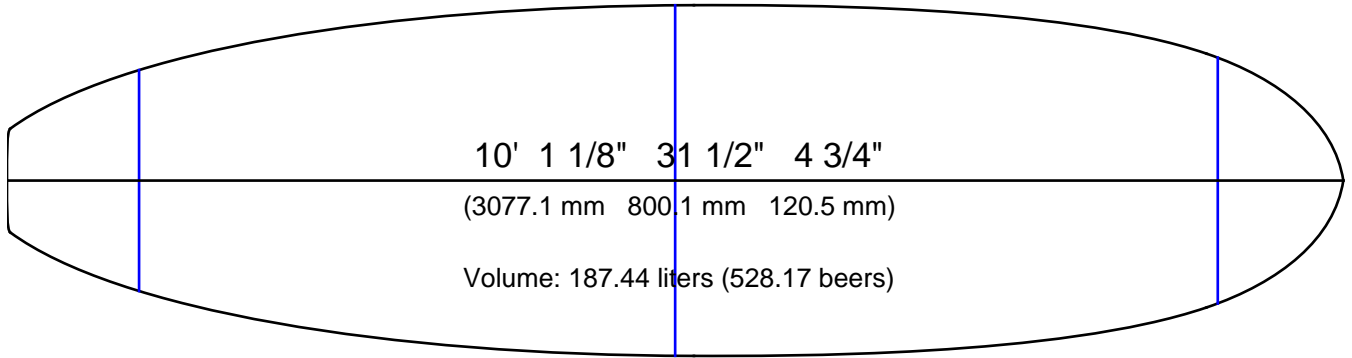
Width: 31 1/2" (800.1)

Thickness: 4 3/4" (120.5)

Tail Stop: 23 5/8" (600.0)

File: Blackwings SUP Stand Up 10'

Designed by: Renaud DERBOIS



Measurements are center, one foot in and one foot back, over curve.

Comments: